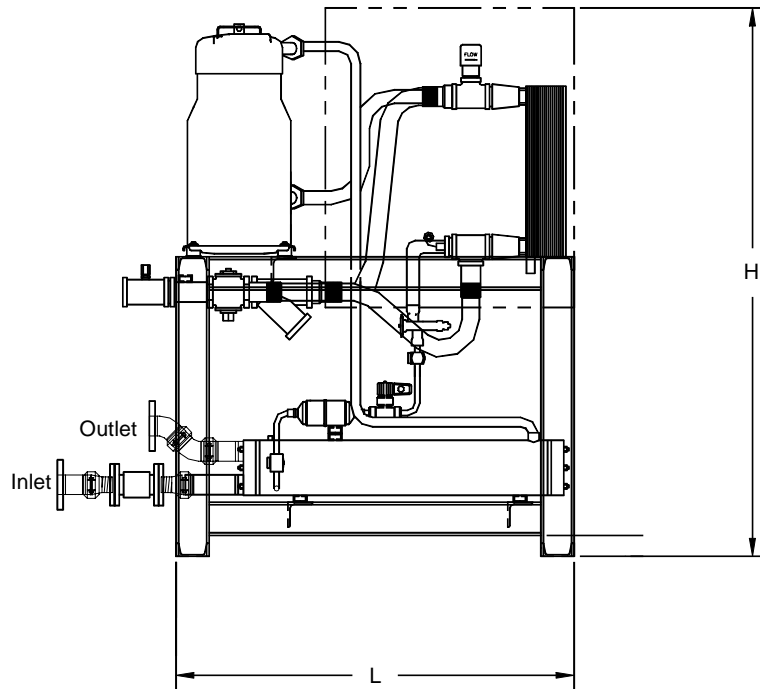


Central Chiller

TSW20 & TSW30 Specifications

Model #	TSW20	TSW30
Cooling capacity (tons) (1)	21	31
Compressors, Qty-nominal tons	2-10	2-15
Steps of unloading	4	4
Evaporator flow, nominal design @ 50°F LWT (GPM)	50	74
Condenser flow, nominal design @ 85°F EWT (GPM)	63	93
Optional P1 process pump HP	5	7.5
Optional P2 chiller pump HP	1.5	2
Nameplate amps 460/3/60 without pumps	32	49
Nameplate amps 460/3/60 with P1 & P2 pumps	43	63
Dimensions, L x W x H without reservoir (inches)	48 x 48 x 66	48 x 48 x 66
Dimensions, L x W x H with 200 gallon reservoir (inches)	103 x 48 x 66	103 x 48 x 66
Dimensions, L x W x H with 425 gallon reservoir (inches)	127 x 48 x 66	127 x 48 x 66
Dimensions, L x W x H with 650 gallon reservoir (inches)	153 x 58 x 66	153 x 58 x 66
Shipping weight (Lbs.)	1600	2000
Shipping weight with 200 gallon reservoir (Lbs.)	3100	3500
Shipping weight with 425 gallon reservoir (Lbs.)	4100	4500
Shipping weight with 650 gallon reservoir (Lbs.)	4600	5000
Evaporator manifold flange connection (inches)	2 NPT	2.5 NPT
Individual condensers flange connection (inches)	1.5 NPT	2 NPT
Optional condenser manifold flange connection (inches)	2 NPT	2.5 NPT

(1) Based on 50°F LWT, 85°F condenser water.



TSW20-30B



7720 N. Lehigh Ave.
 Niles, IL 60714-3491
 Phone: 847-966-2260, ext. 2900
 Toll Free: 888-828-7387

Fax: 847-966-9358
 e-mail: info@thermalcare.com
www.thermalcare.com

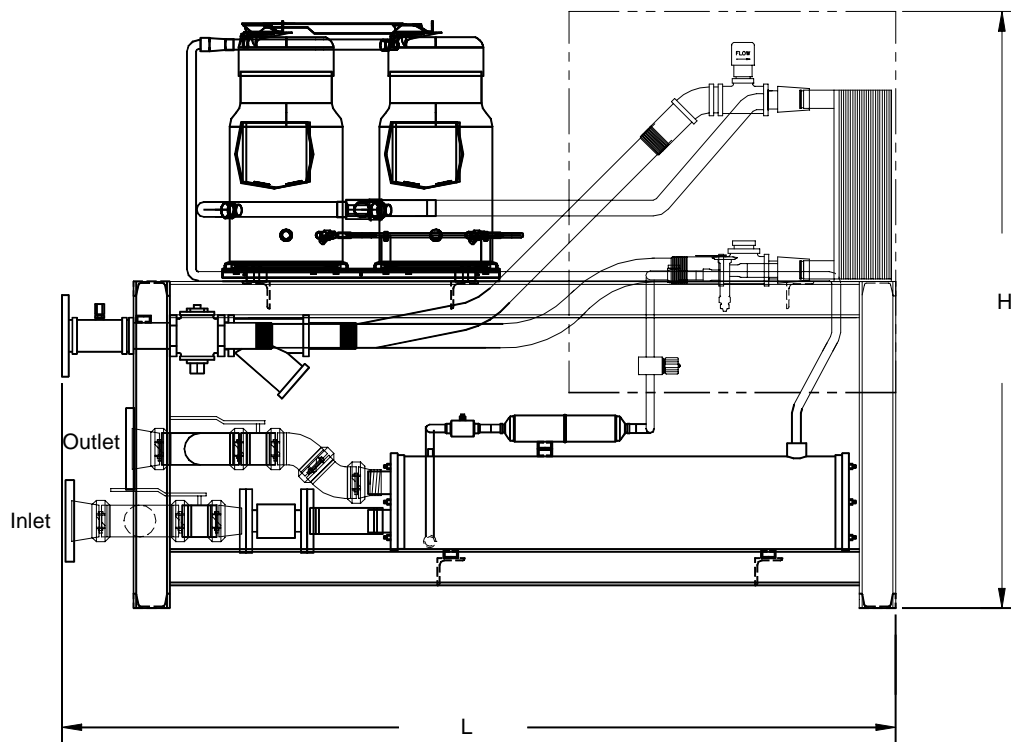
Manufacturer reserves the right to change specifications or design without notice or obligation. Thermal Care is a registered trademark of MFRI, Inc.

Central Chiller

TSW50, TSW60 & TSW70 Specifications

Model #	TSW50	TSW60	TSW70
Cooling capacity (tons) (1)	41	51	61
Compressors, Qty-nominal tons	4-10	2-10, 2-15	4-15
Steps of unloading	4	4	4
Evaporator flow, nominal design @ 50 F LWT (GPM)	98	122	146
Condenser flow, nominal design @ 85 F EWT (GPM)	123	153	183
Optional P1 process pump HP	10	10	10
Optional P2 chiller pump HP	2	3	3
Nameplate amps 460/3/60 without pumps	64	80	97
Nameplate amps 460/3/60 with P1 & P2 pumps	81	99	116
Dimensions, L x W x H without reservoir (inches)	84 x 50 x 66	84 x 50 x 66	84 x 50 x 66
Dimensions, L x W x H with 425 gallon reservoir (inches)	132 x 48 x 66	132 x 48 x 66	132 x 48 x 66
Dimensions, L x W x H with 650 gallon reservoir (inches)	158 x 48 x 66	158 x 48 x 66	158 x 48 x 66
Shipping weight (Lbs.)	2500	3400	3900
Shipping weight with 425 gallon reservoir (Lbs.)	5000	5900	6400
Shipping weight with 650 gallon reservoir (Lbs.)	5500	6400	6900
Evaporator manifold flange connection (inches)	2.5 NPT	3 FLG	3 FLG
Individual condensers flange connection (inches)	2.5 NPT	2.5 NPT	3 FLG
Optional condenser Manifold flange connection (inches)	3 FLG	3 FLG	4 FLG

(1) Based on 50 F LWT, 85 F condenser water.



TSW50-70B



Form 3-262.9

7720 N. Lehigh Ave.
Niles, IL 60714-3491
Phone: 847-966-2260, ext. 2900
Toll Free: 888-828-7387

Fax: 847-966-9358
e-mail: info@thermalcare.com
www.thermalcare.com

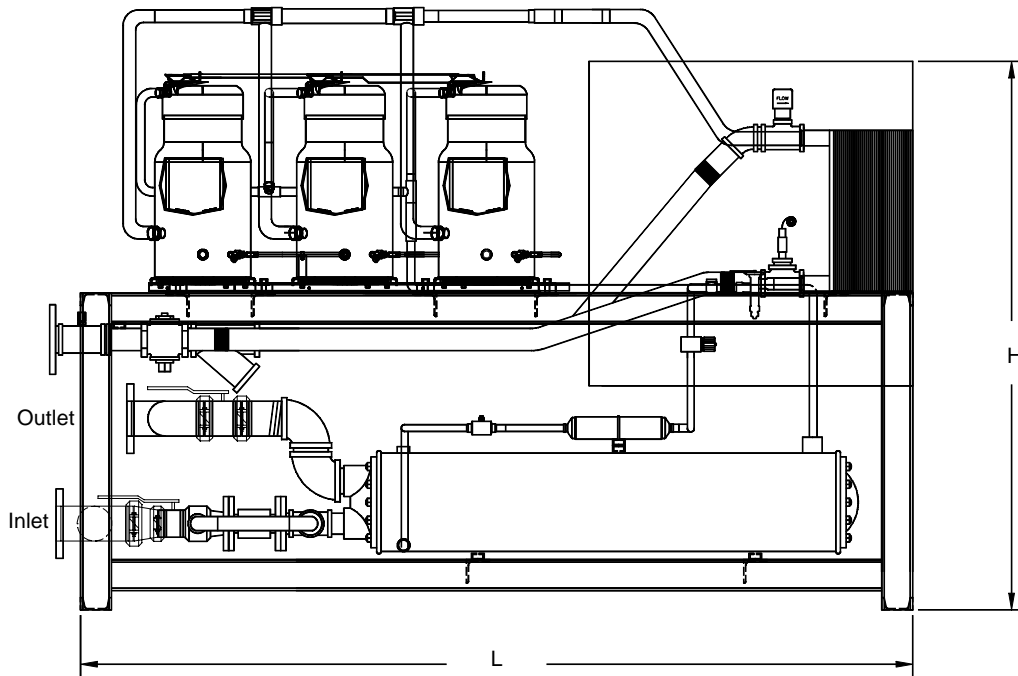
Manufacturer reserves the right to change specifications or design without notice or obligation. Thermal Care is a registered trademark of MFRI, Inc.

Central Chiller

TSW90 & TSW100 Specifications

Model #	TSW90	TSW100
Cooling capacity (tons) (1)	81	91
Compressors, Qty-nominal tons	2-10, 4-15	6-15
Steps of unloading	6	6
Evaporator flow, nominal design @ 50 F LWT (GPM)	195	220
Condenser flow, nominal design @ 85 F EWT (GPM)	243	273
Optional P1 process pump HP	15	15
Optional P2 chiller pump HP	3	3
Nameplate amps 460/3/60 without pumps	129	145
Nameplate amps 460/3/60 with P1 & P2 pumps	155	171
Dimensions, L x W x H without reservoir (inches)	96 x 50 x 66	96 x 50 x 66
Dimensions, L x W x H with 650 gallon reservoir (inches)	170 x 48 x 66	170 x 48 x 66
Shipping weight (Lbs.)	4250	4900
Shipping weight with 650 gallon reservoir (Lbs.)	7250	7900
Evaporator manifold flange connection (inches)	4	4
Individual condensers flange connection (inches)	3	4
Optional condenser manifold flange connection (inches)	4	4

(1) Based on 50 F LWT, 85 F condenser water.



7720 N. Lehigh Ave.
 Niles, IL 60714-3491
 Phone: 847-966-2260, ext. 2900
 Toll Free: 888-828-7387

Fax: 847-966-9358
 e-mail: info@thermalcare.com
www.thermalcare.com

Manufacturer reserves the right to change specifications or design without notice or obligation. Thermal Care is a registered trademark of MFRI, Inc.